

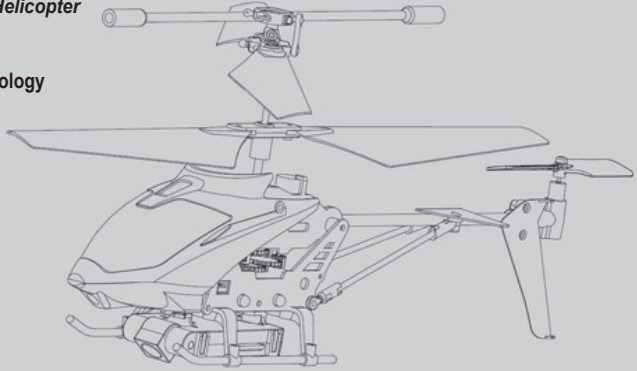
EXTREME™ S-CV1

PROFESSIONAL GRADE

Metal Body ... Remote Control Helicopter



Features New Gyroscope Stabilization Technology for Smooth Easy-to-Control Flights!



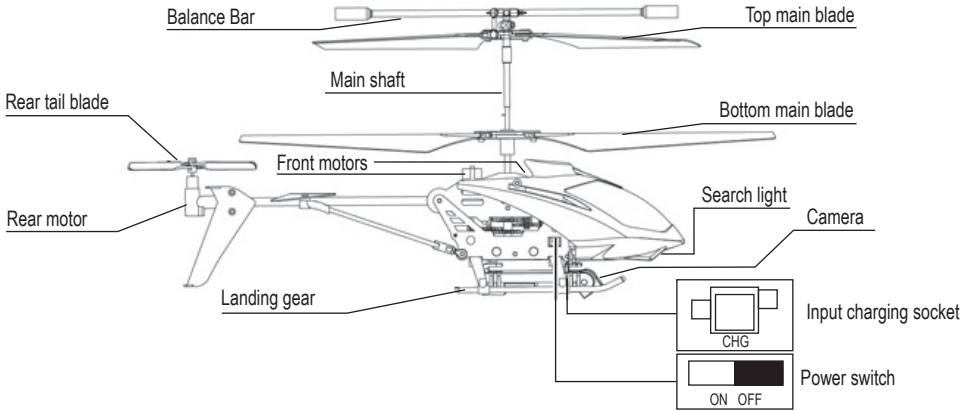
Manufactured by
SYMA
A name you can trust

Distributed and serviced by: Extreme RC by RSI ... Ferndale, MI 48220
Tel: (586) 757-1336 E-mail: Service@extremercbyrsi.com
Website: www.extremercbyrsi.com

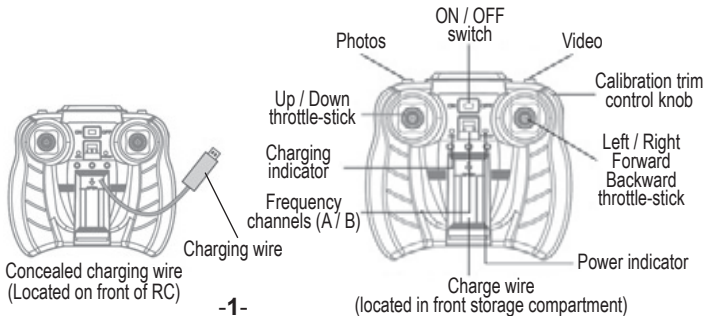
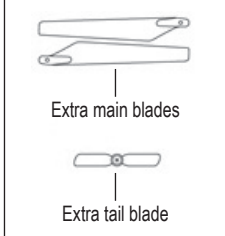
- Manual Contents**
- Safety instructions
 - Charging instructions
 - Flying instructions
 - Calibration trim control
 - Battery installation
 - Part list
 - Camera Installation
 - Taking & downloading photos

- Packing list**
- (1) Extreme indoor helicopter
 - (1) Infrared remote controller
 - (1) Set of extra blades
 - (1) USB charging wire
 - (1) Helicopter photo / computer wire
 - (1) Camera / housing
 - (1) Warranty registration card
 - (1) Instruction manual

PACKING LIST

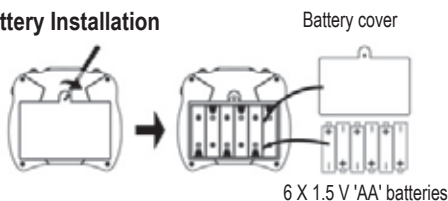


EXTRA PARTS



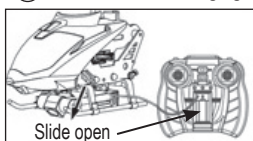
BATTERY INSTALLATION & CHARGING

Battery Installation

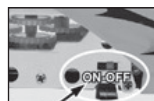
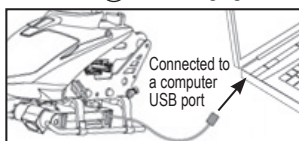


Unscrew and remove battery cover from RC unit. Insert 6 'AA' batteries, noting polarity indicators. Replace battery cover.

(A) Remote Control Charging



(B) USB Charging



ON/OFF Switch



Charge port
Plug wire in helicopter

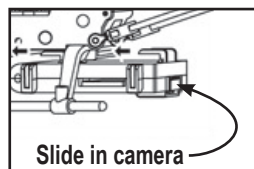
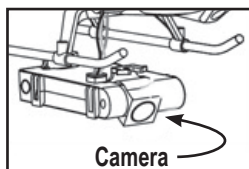
- 1) Be sure the helicopter power switch is in the OFF position
- 2) Remove charge wire from the front of the remote control, or use provided USB charging wire to charge from your computer.
- 3) Plug charging wire into helicopter – remote control light will be red, but will turn green when the helicopter is fully charged. Full charge takes up to 1 hour.
- 4) Unplug the helicopter and replace charging wire for safe keeping.
- 5) Turn helicopter and remote control power switches to ON positions.

Charge time: up to 60 minutes. Flight time up to 10 minutes. Fresh alkaline batteries strongly recommended

CAMERA INSTALLATION

To install Photo/Video Camera:

Connect the camera's wire to the helicopter's charging port. Line up the hook on the top of the camera with the hole in the helicopter's undercarriage and push forward. Rear hooks will go over the helicopter's skids. Gently aim the camera lens as desired.



Photos

To take photos: click the left "shoulder" button. Light will turn red, and the camera will take a digital photo.



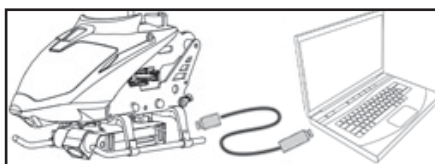
Video

To record video: push the right "shoulder" button down. Light will turn red while the camera records a digital video. To stop recording, push button again.



DOWNLOADING PICTURES

Connect the camera's provided USB cord into the rear of the camera. Plug the other end of cord into your computer's USB port and follow the instructions on your screen.



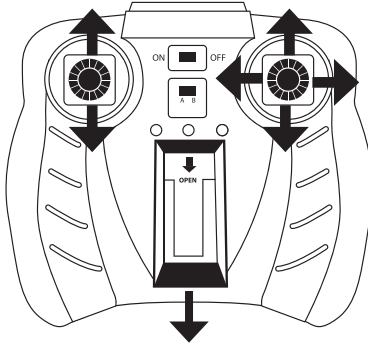
FLYING YOU HELICOPTER

- Set the band selector on remote control to either "A" or "B"
- Turn power switches for helicopter and RC to "ON" – lights will turn on
- Point top of controller towards helicopter and step back 6-8 feet
- Use throttle controls to start flying
- For best signal, keep the top of the RC pointed towards the helicopter

REMOTE CONTROL THROTTLES / CHARGE WIRE STORAGE

LEFT-SIDE THROTTLE

FOR UP / DOWN HOVERING



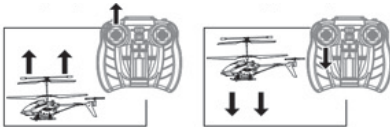
SLIDE DOWN TO OPEN

RIGHT-SIDE THROTTLE

FOR LEFT / RIGHT TURNS
BACKWARD / FORWARD

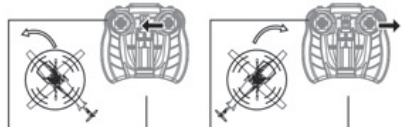
Hover up and down

Learn how to hover (fly in place) first – once you've mastered this operation, flying is easy. Once you can hover, try moving up and down with the throttle stick (left). Move the throttle stick gradually.



Turn counter-clockwise & clockwise

While hovering helicopter, push throttle stick left for counter-clockwise turns or right for clockwise turns.



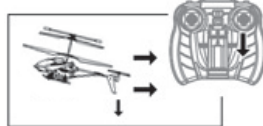
Forward

Push the right control throttle up – the nose of the helicopter will point downward, the tail motor will activate, and the helicopter will fly forward.



Reverse

Pull right control throttle down – the nose of the helicopter will point upward, the tail motor will activate, and the helicopter will fly backward.



If helicopter rotates counter-clockwise...
turn calibration control knob downward.



If helicopter rotates clockwise...
turn calibration control knob upward.

CAUTION:

- Direct sunlight may interfere with remote control signal.
- Do not block the transmitter lens on top of the remote control unit.
- Do not place stickers, weights, or anything else on the helicopter. This may cause the helicopter to crash or malfunction.
- Avoid flying the unit under low ceilings. Crashing into ceilings may cause damage to the helicopter.
- To avoid injury, do not touch the blades or any moving parts.
- When not in use, (especially for 60 days or more) remove 'AA' batteries from remote control unit – batteries may leak and cause damage.

ENVIRONMENT FOR FLIGHT:

- This is a light-weight (under 3 oz.) helicopter, and should be flown indoors.
- Avoid wind, drafts, forced air, water, fans, heat and air-conditioning vents.
- Recommended flying area: 20'L x 20'W x 12'H.
- Keep flying helicopter away from pets, young children, the elderly and the disabled - use good common sense when flying!

SPARE PARTS LIST

Order by item number from www.extremercbyrsi.com or call our service department: 586-757-1336 x 1

